



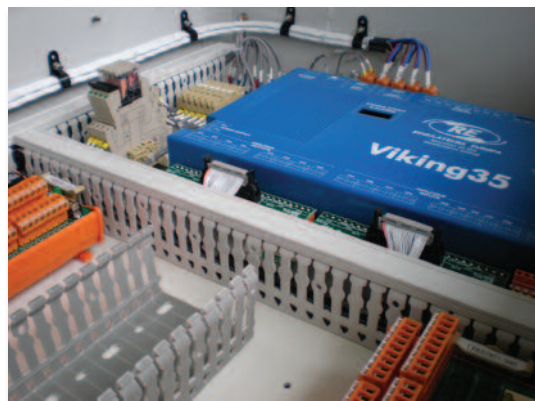
VIKING35 MARINE ENGINE CONTROL PANEL

Regulateurs Europa has over 50 years experience of designing and building controls for Marine Engines. The scope of supply can comprise of either a simple governing system, for a propulsion engine or generator, or a complete integrated ship control and monitoring package.

Viking25 and Viking35 are dedicated digital control units that have the capability of extending their principle governing / engine management functions to encompass a whole range of associated control and monitoring tasks.

Dealing with complex load sharing schemes is something that the Viking range of ECUs excels at. Programmes exist to cover multiple engines, in propulsion or generating duty, and engines performing a dual role. Speed sensing may be on the engine or on the driven load, where torsionals are an issue.

The panel displayed at SMM 2008 is just one example of the type of control, safety and monitoring solutions that Regulateurs Europa can provide.



REGULATEURS EUROPA

Member of the
Heinzmann Group

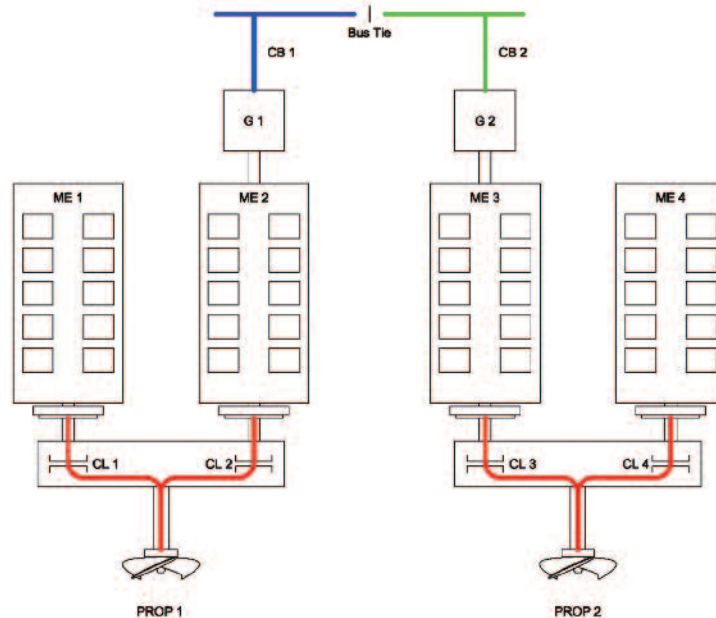
REGULATEURS EUROPA

DATA SHEET



TYPICAL TECHNICAL FEATURES

- Engine type selection
- “Viking Vision” laptop PC interface
- Menu driven parameter setting
- Speed measurement by high or low frequency pick-ups
- Detection of speed pick-up faults
- Signal conditioning I/O modules with expansion capability
- Actuator wire break monitoring
- Analogue and digital speed setting modes
- Four slope programmable speed ramp
- Three load variable gain functions
- Three speed variable gain functions
- Complex CAN bus load sharing
- Droop or isochronous load sharing
- Load balance offset
- kW or fuel rack load share
- Engine speed outputs
- Pitch Control functions
- Four torque limit functions
- Start and clutch-in fuel limits
- Speed level outputs with adjustable hysteresis
- Simplified cabling provision
- EMC protected enclosure
- Two additional CAN ports & RS485



REGULATEURS EUROPA Ltd.

Port Lane, Colchester, Essex CO1 2NX
United Kingdom

Phone: +44 (0)1206 799 556

Fax: +44 (0)1206 792 685

Email: sales@regulateurseuropa.com

Website: www.regulateurseuropa.com

REGULATEURS EUROPA BV

Ekkelkamp 3, 9301 ZZ Roden
The Netherlands

Phone: +31 (0)5050 19888

Fax: +31 (0)5050 13618

Email: sales@regulateurs-europa.com

Website: www.regulateurseuropa.com



REGULATEURS EUROPA

Member of the
Heinzmann Group