

## Type 2800

### DATA SHEET

#### Description

##### **Work output 30 ft lbf (40.5 Nm)**

The REGULATEURS EUROPA 2800 is a proportional, fuel control actuator in which the output shaft position is proportional to the electrical input signal.

The design incorporates over 50 years of experience in building hydraulic governors and actuators and provides a compact solution that is interchangeable with other proprietary units.

With its internal oil pump and self contained oil supply the 2800 provides the same high levels of reliability that have been proven on the existing 2200 range.

Starting boosters can be supplied for applications where rapid starting or minimising air consumption is an issue.

The extensive HEINZMANN and REGULATEURS EUROPA worldwide network of more than 30 branches, representatives and authorised dealers ensures fast responsive and professional service wherever our customers are.



#### Features

True proportional actuator.  
No position feedback required

Compact size envelope,  
fully interchangeable with  
UG range actuator

For use with the  
REGULATEURS EUROPA  
Viking range of digital  
electronic governors

Interface module allows  
for use with other  
manufacturer's governors

Low maintenance / high  
reliability

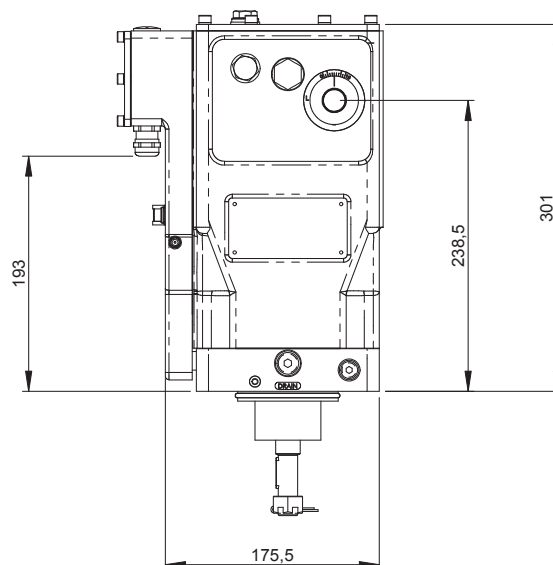
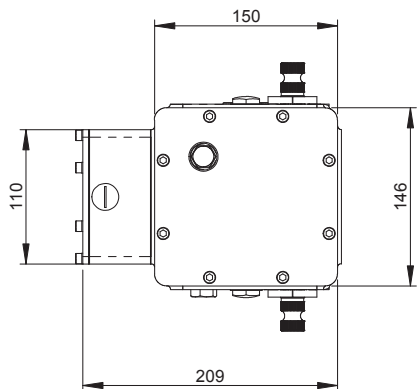
Self contained oil supply

Range of drive shaft options

#### Application range

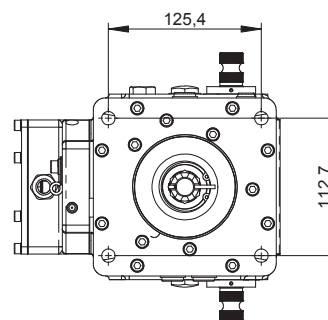
- ➔ Most suited to diesel engines in industrial and power generating applications.
- ➔ A high work output actuator in a compact body size.
- ➔ Designed to work with REGULATEURS EUROPA Viking electronic governor or other proprietary electronic governor controls.

## Dimensions



## Technical data

Actuator input signal	0 – 1 Amp nominal operating range 250 -750 mA (no load - full load) Optional: 0 – 200 mA 20 -160 mA (no load - full load)
Open loop positional accuracy	+/- 1.5 % FSD approx.
Work output nominal	30 ft lbf (40.5 Nm)
Torque (increase fuel)	49.5 lb ft (67 Nm)
Torque (decrease fuel)	38.5 lb ft (52 Nm)
Output shaft angular movement	46.7 degrees max. 28 degrees from 2 to 8 (no load to full load)
Output shaft	Standard 3/4 inch 48 SAE serrations Optional 5/8 inch 48 SAE serrations
Drive speed	300 to 2000 rpm
Direction of rotation	either
Weight	63 lb (28.5 kg)



Subject to alterations. ©REGULATEURS EUROPA, 2010

### REGULATEURS EUROPA Ltd.

Port Lane, Colchester, Essex CO1 2NX  
United Kingdom  
Phone: +44 (0)1206 799 556  
Fax: +44 (0)1206 792 685  
Email: sales@regulateurseuropa.com



**REGULATEURS EUROPA**

Member of the  
Heinzmann Group

### REGULATEURS EUROPA BV

Ekkelkamp 3, 9301 ZZ Roden  
The Netherlands  
Phone: +31 (0)5050 19888  
Fax: +31 (0)5050 13618  
Email: sales@regulateurs-europa.com