

## ICENI AI-01

### DATA SHEET

#### Description

The module provides four, loop powered, individually isolated input channels, for monitoring field sensors (pressure, level, position etc.).

The module monitors four 4-20 mA analogue inputs that are configured from the master module. Each is individually opto-isolated from the ICENIbus. The individual status LED's indicate that the field input is present and within limits and the healthy LED indicates that the module is communicating on the ICENIbus. By pressing the RE logo push-button, all of the measured input values are shown on the master module display.

The module can occupy any slot between the first (master) and the last (power supply) modules.



#### Features

Loop powered inputs

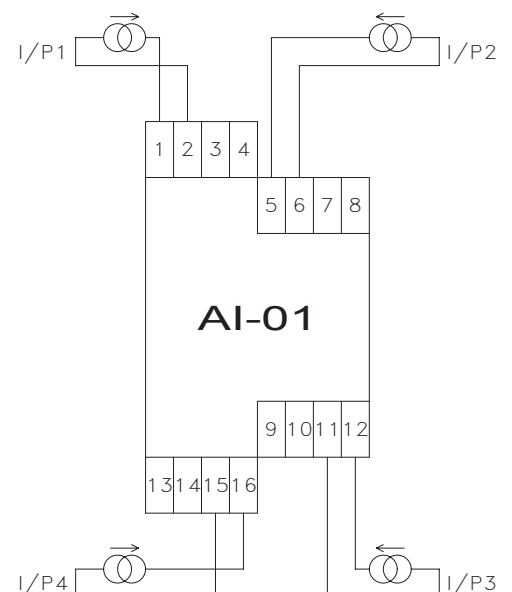
Individually isolated channels

Protected inputs

Signal fault indication

#### Technical specification

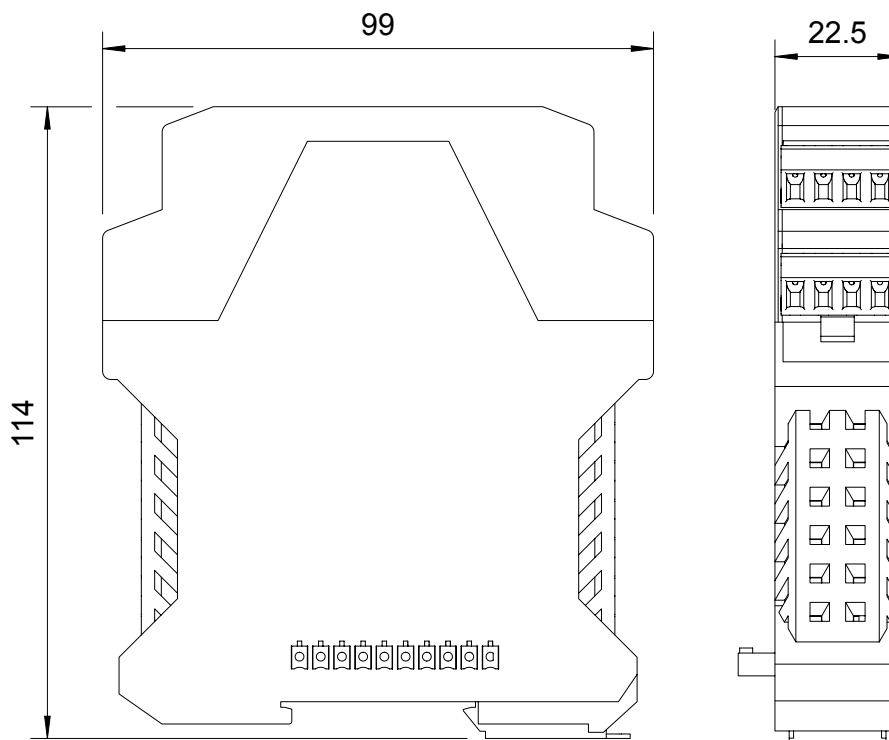
Operating temperature	-20 to +70 °C
Number of channels	4 inputs
Channel type	current
Signal measurement range (normal)	4 to 20 mA
Signal measurement range (maximum)	2 to 22 mA
Protection	25 mA current limit
Voltage drop	5.5 V max. @ 20 mA
Input filter	hardware & software
Update rate (external per channel)	10 Hz
Sampling rate (per channel)	200 Hz
Accuracy	+/- 0.5 % fsd
Electrical isolation - channel to channel	500 V
Electrical isolation - channel to ICENIbus	1000 V
Input resistance	variable (loop powered)
Signal fault detection	open circuit outside normal range over-current



## General specification

Operating temperature	-20 to +70 °C
Storage temperature	-40 to +85 °C
Mounting	35 mm DIN rail
Field wiring termination	screw (cage clamp option available)
Wiring cross section / strip length	0.14 to 1.5 mm <sup>2</sup> / 7 mm
Enclosure material	grey polyamide
Weight	130 g
Protection	IP20

## Dimensions



Subject to alterations. ©REGULATEURS EUROPA LTD, 2010

**REGULATEURS EUROPA Ltd.**  
Port Lane, Colchester, Essex CO1 2NX  
United Kingdom  
Phone: +44 (0)1206 799 556  
Fax: +44 (0)1206 792 685  
Email: sales@regulateurseuropa.com



**REGULATEURS EUROPA**

Member of the  
Heinzmann Group

**REGULATEURS EUROPA BV**  
Ekkelkamp 3, 9301 ZZ Roden  
The Netherlands  
Phone: +31 (0)5050 19888  
Fax: +31 (0)5050 13618  
Email: sales@regulateurs-europa.com