

ICENI AI-04

DATA SHEET

Description

The module provides four, isolated input channels, for monitoring field temperature sensors (fluids, bearings, motor windings etc.).

The module monitors four RTD analogue inputs that are configured from the master module. The four channels are opto-isolated from the ICENIbus. The individual status LED's indicate that the field input is present and within limits and the healthy LED indicates that the module is communicating on the ICENIbus. By pressing the RE logo push-button, all of the measured input values are shown on the master module display.

The module can occupy any slot between the first (master) and the last (power supply) modules.



Features

Supports 4 sensor types

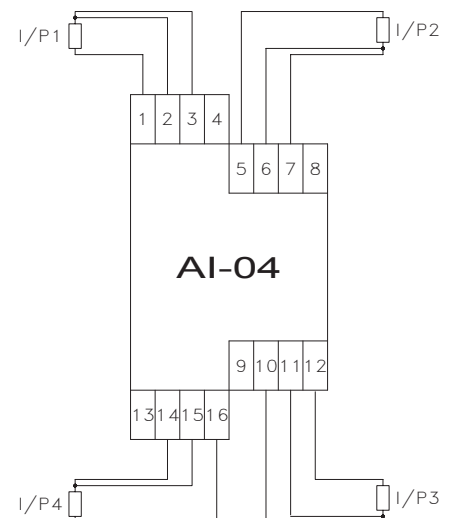
Isolated channels

Open / short-circuit
detection

Signal fault indication

Technical specification

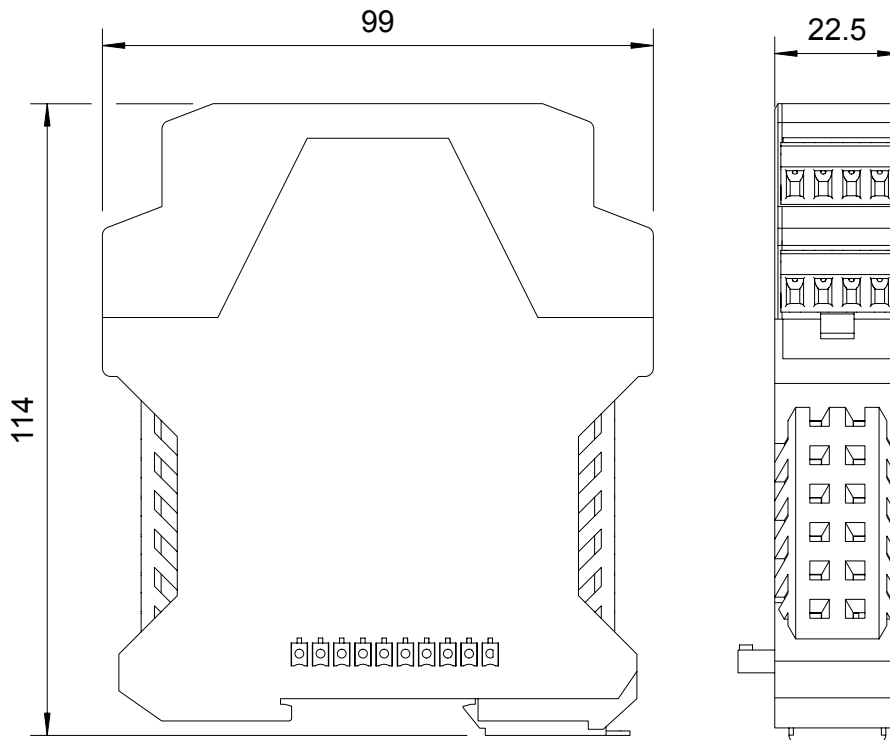
Operating temperature	-20 to +70 °C
Number of channels	4 inputs
Channel type	2 & 3 wire RTD
Sensor type	PT100, PT200, PT500, PT1000
Signal measurement range (maximum)	-200 to +850 °C
Input filter	hardware & software
Update rate (external per channel)	10 Hz
Sampling rate (per channel)	20 Hz
Accuracy	+/- 0.5 % fsd
Electrical isolation - channel to channel	-
Electrical isolation - channel to ICENIbus	1000 V
Input resistance	> 1 MOhm
Signal fault detection	open-circuit short-circuit



General specification

Operating temperature	-20 to +70 °C
Storage temperature	-40 to +85 °C
Mounting	35 mm DIN rail
Field wiring termination	screw (cage clamp option available)
Wiring cross section / strip length	0.14 to 1.5 mm ² / 7 mm
Enclosure material	grey polyamide
Weight	130 g
Protection	IP20

Dimensions



Subject to alterations. ©REGULATEURS EUROPA LTD, 2010

REGULATEURS EUROPA Ltd.
Port Lane, Colchester, Essex CO1 2NX
United Kingdom
Phone: +44 (0)1206 799 556
Fax: +44 (0)1206 792 685
Email: sales@regulateurseuropa.com



REGULATEURS EUROPA

Member of the
Heinzmann Group

REGULATEURS EUROPA BV
Ekkelkamp 3, 9301 ZZ Roden
The Netherlands
Phone: +31 (0)5050 19888
Fax: +31 (0)5050 13618
Email: sales@regulateurs-europa.com