

ICENI DI-01

DATA SHEET

Description

The module provides eight, individually isolated, digital input channels for monitoring field devices (position switches, level sensors, operator inputs etc.).

The module monitors eight 24 Vdc field powered inputs that are individually opto-isolated from the ICENIbus. The individual status LED's indicate that the field input is switched on and the healthy LED indicates that the module is communicating on the ICENIbus. By pressing the RE logo push-button, the status of the field inputs are collectively shown on the master module display.

The module can occupy any slot between the first (master) and the last (power supply) modules.



Features

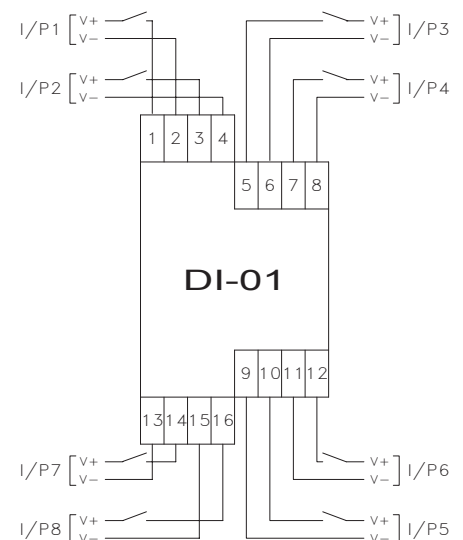
Individually isolated channels

Protected inputs

Signal status indication

Technical specification

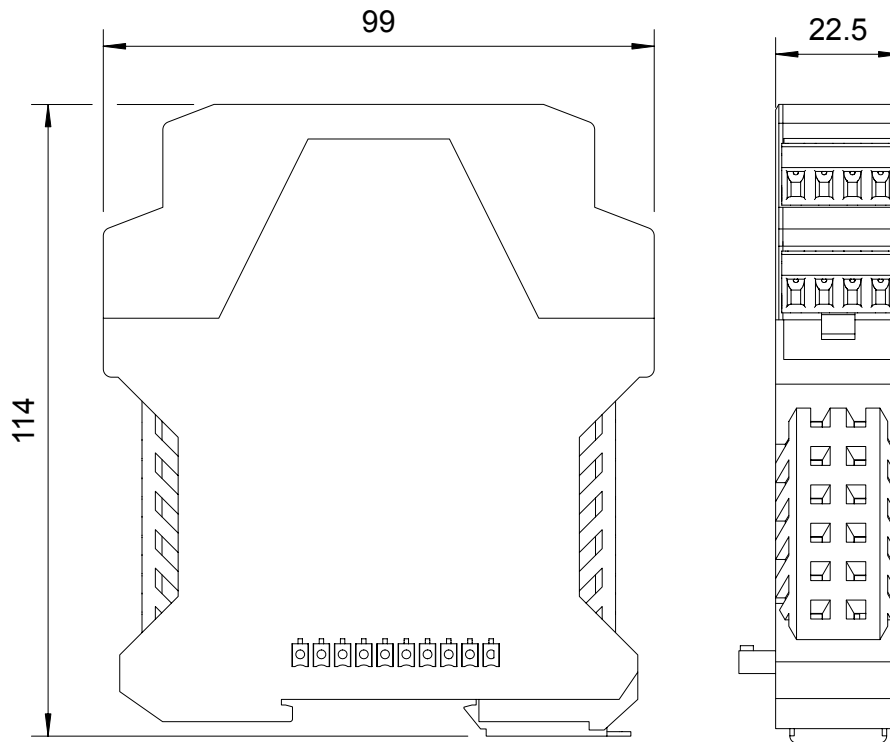
Operating temperature	-20 to +70 °C
Number of channels	8 inputs
Channel type	digital
Signal measurement range (maximum)	0 to 5 Vdc (logic low) 10 to 35 Vdc (logic high)
Input filter	hardware & software
Update rate (external per channel)	10 Hz
Sampling rate (per channel)	100 Hz
Electrical isolation - channel to channel	500 V
Electrical isolation - channel to ICENIbus	1000 V
Input resistance	> 3 KOhms
Absolute maximum input	40 Vdc



General specification

Operating temperature	-20 to +70 °C
Storage temperature	-40 to +85 °C
Mounting	35 mm DIN rail
Field wiring termination	screw (cage clamp option available)
Wiring cross section / strip length	0.14 to 1.5 mm ² / 7 mm
Enclosure material	grey polyamide
Weight	130 g
Protection	IP20

Dimensions



Subject to alterations. ©REGULATEURS EUROPA LTD, 2010

REGULATEURS EUROPA Ltd.
Port Lane, Colchester, Essex CO1 2NX
United Kingdom
Phone: +44 (0)1206 799 556
Fax: +44 (0)1206 792 685
Email: sales@regulateurseuropa.com



REGULATEURS EUROPA

Member of the
Heinzmann Group

REGULATEURS EUROPA BV
Ekkelkamp 3, 9301 ZZ Roden
The Netherlands
Phone: +31 (0)5050 19888
Fax: +31 (0)5050 13618
Email: sales@regulateurs-europa.com