

ICENI DO-03

DATA SHEET

Description

The module provides four switched relay output channels for controlling field devices (indicators, actuators, audible alarms etc).

The module provides four individually switched relays with terminations to a changeover contact for each channel. The individual status LED's indicate that the field output is switched on and the healthy LED indicates that the module is communicating on the ICENIbus. By pressing the RE logo push-button, the status of the field outputs are collectively shown on the master module display.

The module can occupy any slot between the first (master) and the last (power supply) modules.



Features

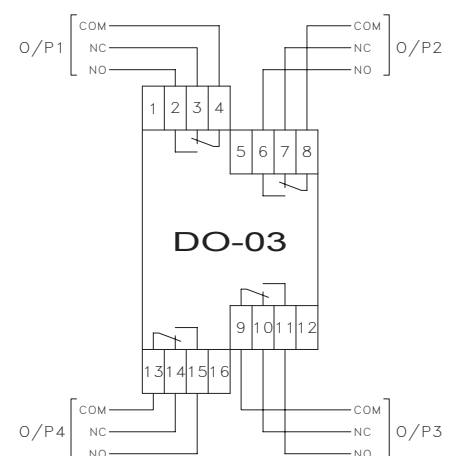
Clean contact C/O outputs

Individually isolated channels

Signal status indication

Technical specification

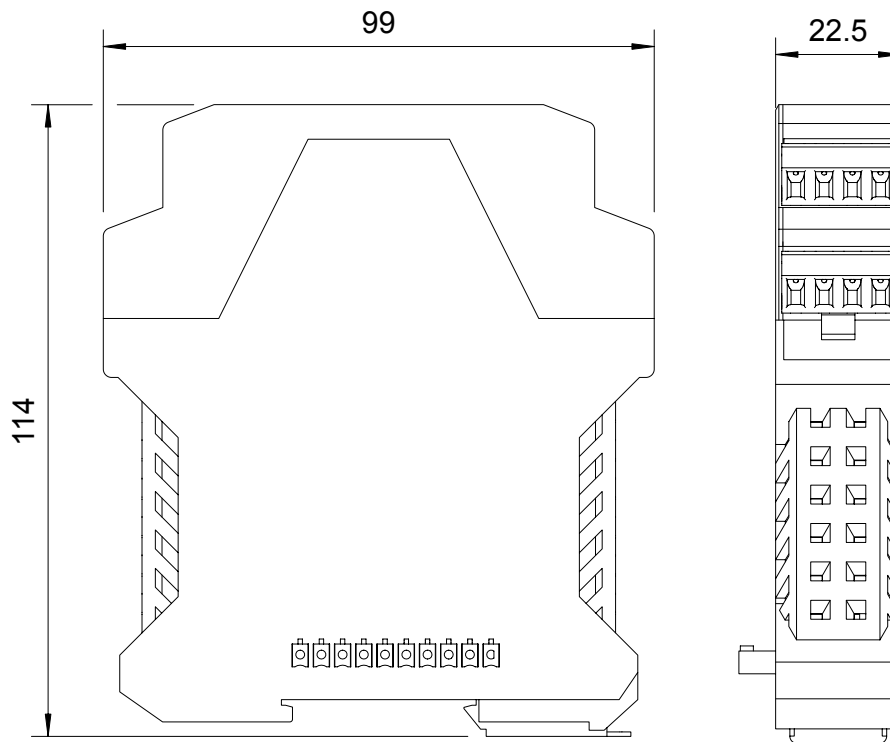
Operating temperature	-20 to +70 °C
Number of channels	4 outputs
Channel type	digital
Output type	relay (changeover contacts)
Switching current (maximum)	1A @ 24 Vdc
Switching voltage (maximum)	125 Vdc / 150 Vac
Switching capacity (maximum)	30 W / 60 VA
Contact material	palladium nickel, gold-rhodium covered
Series resistance (on)	< 50 mOhms
Update rate (external per channel)	10 Hz
Electrical isolation - channel to channel	500 V
Electrical isolation - channel to ICENIbus	1000 V



General specification

Operating temperature	-20 to +70 °C
Storage temperature	-40 to +85 °C
Mounting	35 mm DIN rail
Field wiring termination	screw (cage clamp option available)
Wiring cross section / strip length	0.14 to 1.5 mm ² / 7 mm
Enclosure material	grey polyamide
Weight	130 g
Protection	IP20

Dimensions



Subject to alterations. ©REGULATEURS EUROPA LTD, 2010

REGULATEURS EUROPA Ltd.
Port Lane, Colchester, Essex CO1 2NX
United Kingdom
Phone: +44 (0)1206 799 556
Fax: +44 (0)1206 792 685
Email: sales@regulateurseuropa.com



REGULATEURS EUROPA

Member of the
Heinzmann Group

REGULATEURS EUROPA BV
Ekkelkamp 3, 9301 ZZ Roden
The Netherlands
Phone: +31 (0)5050 19888
Fax: +31 (0)5050 13618
Email: sales@regulateurs-europa.com